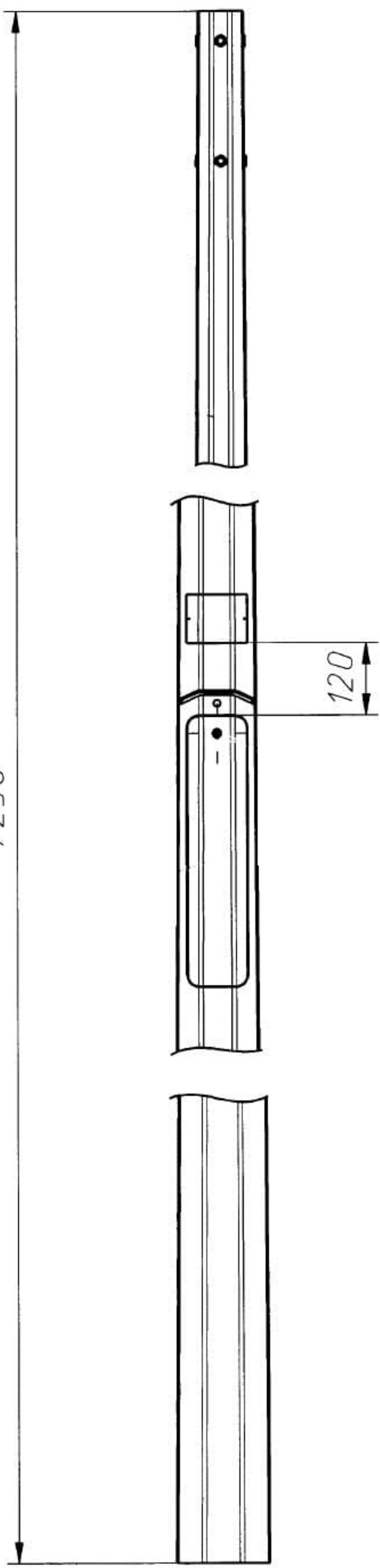


A ↓

7250



A (1:2)

